

Wolfgang metal stool fully upholstered



Stackability,
few stackable stools available on
the market

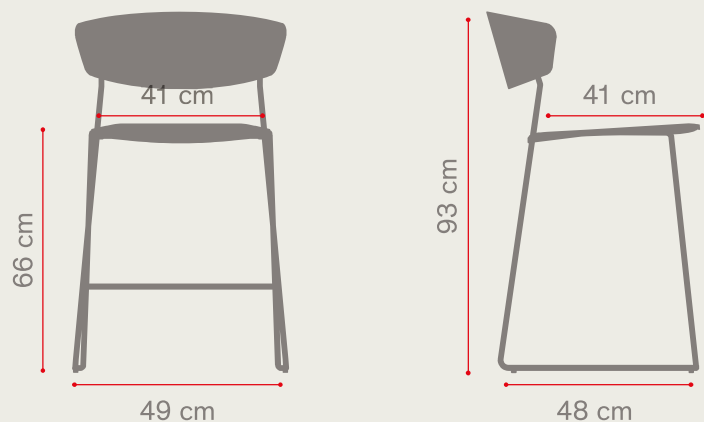
Elegant design

Counter stool version
most in demand

WMS302-B

Wolfgang metal stool fully upholstered

Dimensions



Technical information

Component	Material	Thickness	Finishes
Frame	solid rod (tig weldings)	Ø 11 mm	/
Seat	upholstered panel	30 mm	/
Backseat	upholstered panel	35 mm	/

Stacking information



Heavy duty trolley
/



Transport trolley
8 pcs



Floor stacking
4 pcs

Packaging information



Net weight
6,4 kg



Gross weight
16,8 kg



Quantity per box
2 pcs



Volume
0,31 m³

**Wolfgang metal stool
fully upholstered**



Wolfgang metal stool
fully upholstered



Wolfgang metal stool
fully upholstered



Wolfgang metal stool
fully upholstered



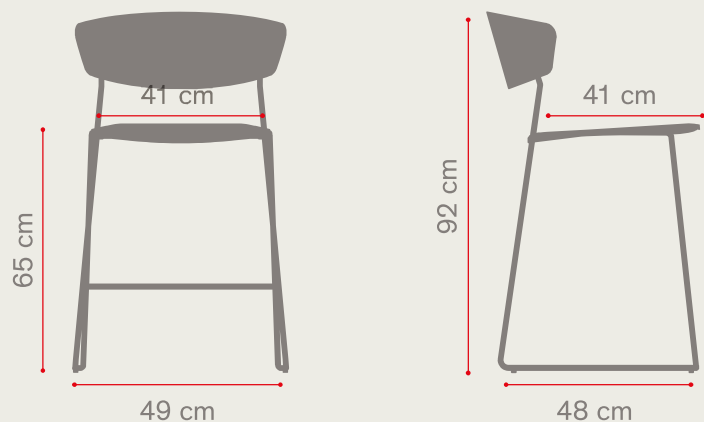
Wolfgang metal stool
wood



WMS335-B

Wolfgang metal stool wood

Dimensions



Technical information

Component	Material	Thickness	Finishes
Frame	solid rod(tig weldings)	Ø 11 mm	/
Seat	wood panel	12 mm	/
Backseat	wood panel	14 mm	/

Stacking information



Heavy duty trolley
/



Transport trolley
8 pcs



Floor stacking
4 pcs

Packaging information



Net weight
6 kg



Gross weight
16 kg



Quantity per box
2 pcs



Volume
0,31 m³