

Wolfgang metal 54
sled base
fully upholstered



Very comfortable

Wide seat with integrated support

Curved seat in the front and in the corners

Flexible backrest

Refined stitching details under the backrest

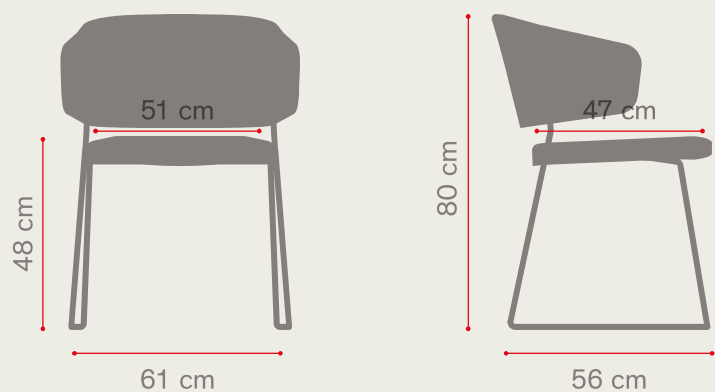
Wolfgang metal 54
sled base
fully upholstered



WMG202

Wolfgang metal 54 sled base fully upholstered

Dimensions



Technical information

Component	Material	Thickness	Finishes
Frame	solid rod (tig weldings)	Ø 11 mm	/
Seat	upholstered panel	40 mm	/
Backseat	upholstered panel	40 mm	/

Packaging information



Net weight
8 kg



Gross weight
12 kg



Quantity per box
1 pcs



Volume
0,33 m³

**Wolfgang metal 54
sled base
fully upholstered**



Wolfgang metal 54
sled base
fully upholstered

