

Link chair



Introduced in 2016 in wood version followed 3 years later by the poly-resin version

Highly stackable (40 pcs)

100% recyclable

Seat supported by 8 nonvisible screws (2 for each metal support)

Plastic covers protects the underlying chair during stacking and also performs an aesthetic function

Waterfall seat – comfortable for legs movement

Ergonomic curves on the back

A variety of wood finishes and combinations

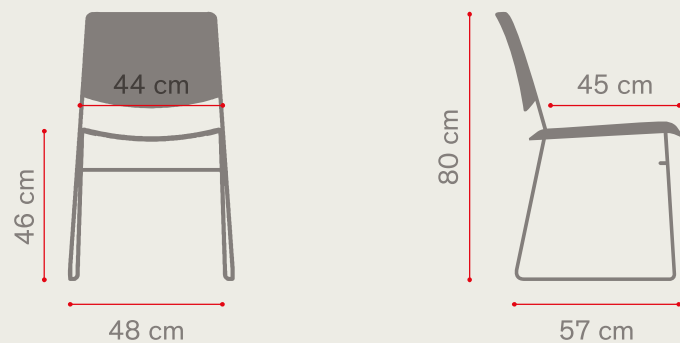
Link chair



LKX135 / LKX137

Link chair

Dimensions



Technical information

Component	Material	Thickness	Finishes
Frame	solid rod (tig weldings)	Ø 11 mm	/
Seat	wood panel	12 mm	/
Backseat	wood panel	10 mm	/

Stacking information



Heavy duty trolley
40 pcs



Transport trolley
20 pcs



Floor stacking
20 pcs

Packaging information



Net weight
6,4 kg



Gross weight
23,2 kg



Quantity per box
3 pcs

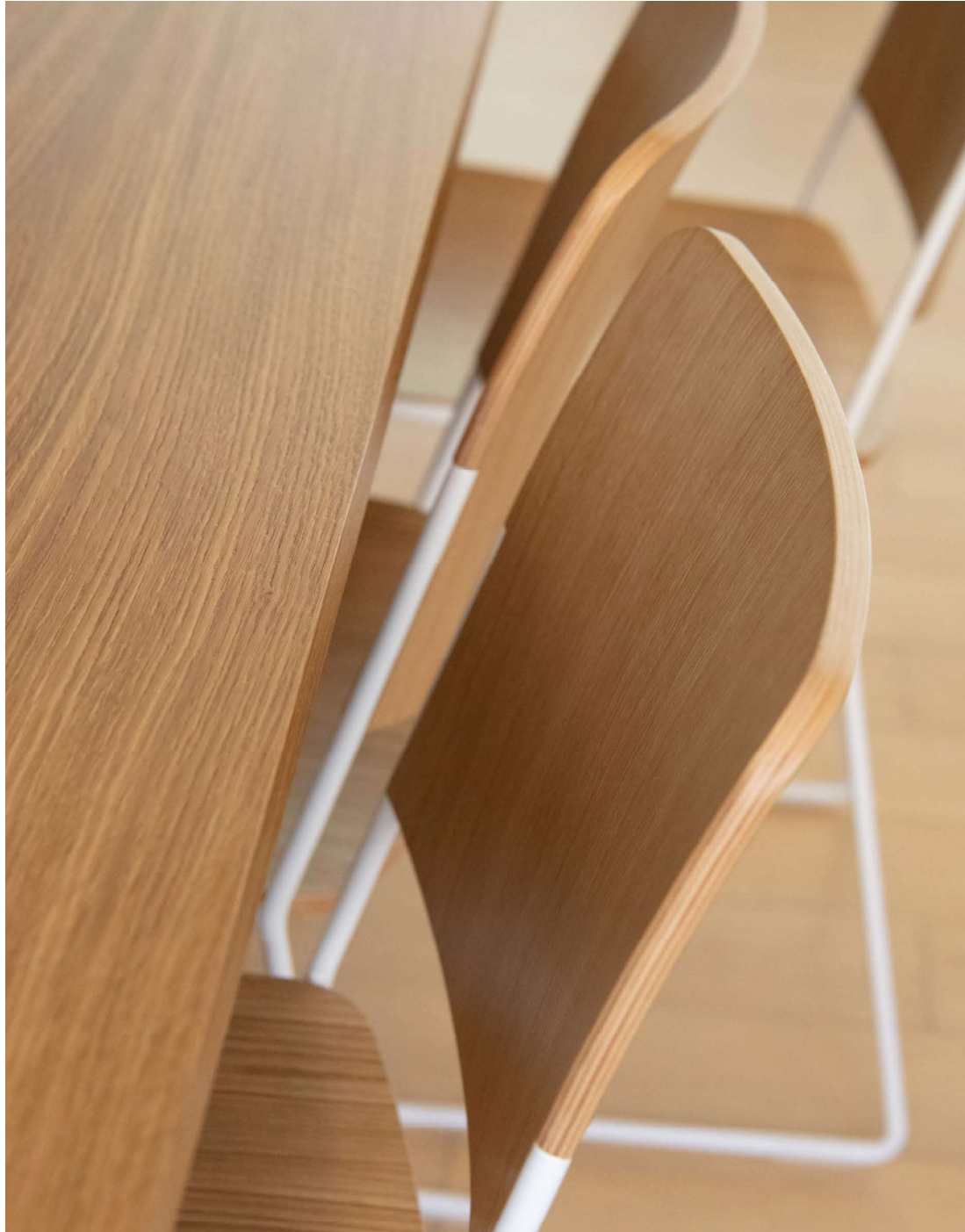


Volume
0,31 m³

Link chair



Link chair



Link chair



Link chair sled base upholstered seat



Very comfortable

Metal supports
integrated in the seat

100% recyclable

Seat supported by 8 screws
(2 for each metal support)

Plastic covers protects the
underlying chair during
stacking and also performs
an aesthetic function

Refined stitching details

Clean lines upholstery
without staples

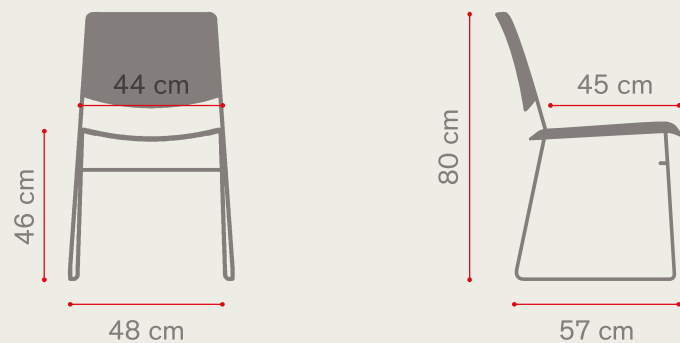
Ergonomic curves on the back

Waterfall seat – comfortable
for legs movement

LKX134 / LKX136

Link chair sled base upholstered seat

Dimensions



Technical information

Component	Material	Thickness	Finishes
Frame	solid rod (tig weldings)	Ø 11 mm	/
Seat	upholstered panel	30 mm	/
Backseat	wood panel	10 mm	/

Stacking information



Heavy duty trolley
20 pcs



Transport trolley
16 pcs



Floor stacking
12 pcs

Packaging information



Net weight
6,9 kg



Gross weight
24,7 kg



Quantity per box
3 pcs



Volume
0,31 m³

Link chair sled base
upholstered seat



Link chair sled base
upholstered seat

