

Wolfgang metal 4 legs fully upholstered

Panel that protects
the underlying chair during
stacking and also acts
as an acoustic panel

Gliders with different angles

Lightweight and easy
to move



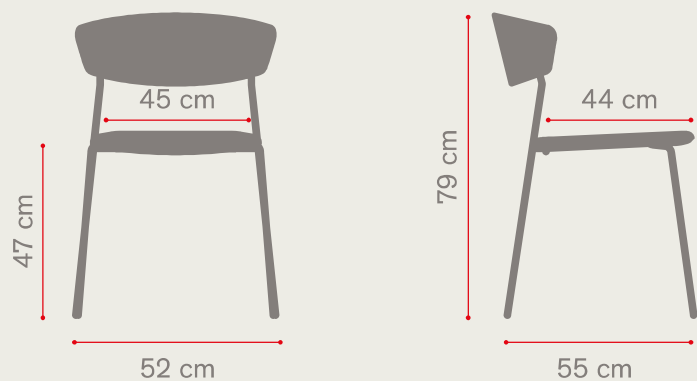
**Wolfgang metal 4 legs
fully upholstered**



WM4103

Wolfgang metal 4 legs fully upholstered

Dimensions



Technical information

Component	Material	Thickness	Finishes
Frame	asform tube (tig weldings)	Ø 16 mm	/
	tube thickness	2 mm	/
Seat	upholstered panel	30 mm	/
Backseat	upholstered panel	35 mm	/

Stacking information



Heavy duty trolley
/



Transport trolley
8 pcs



Floor stacking
6 pcs

Packaging information



Net weight
5,6 kg



Gross weight
15,2 kg

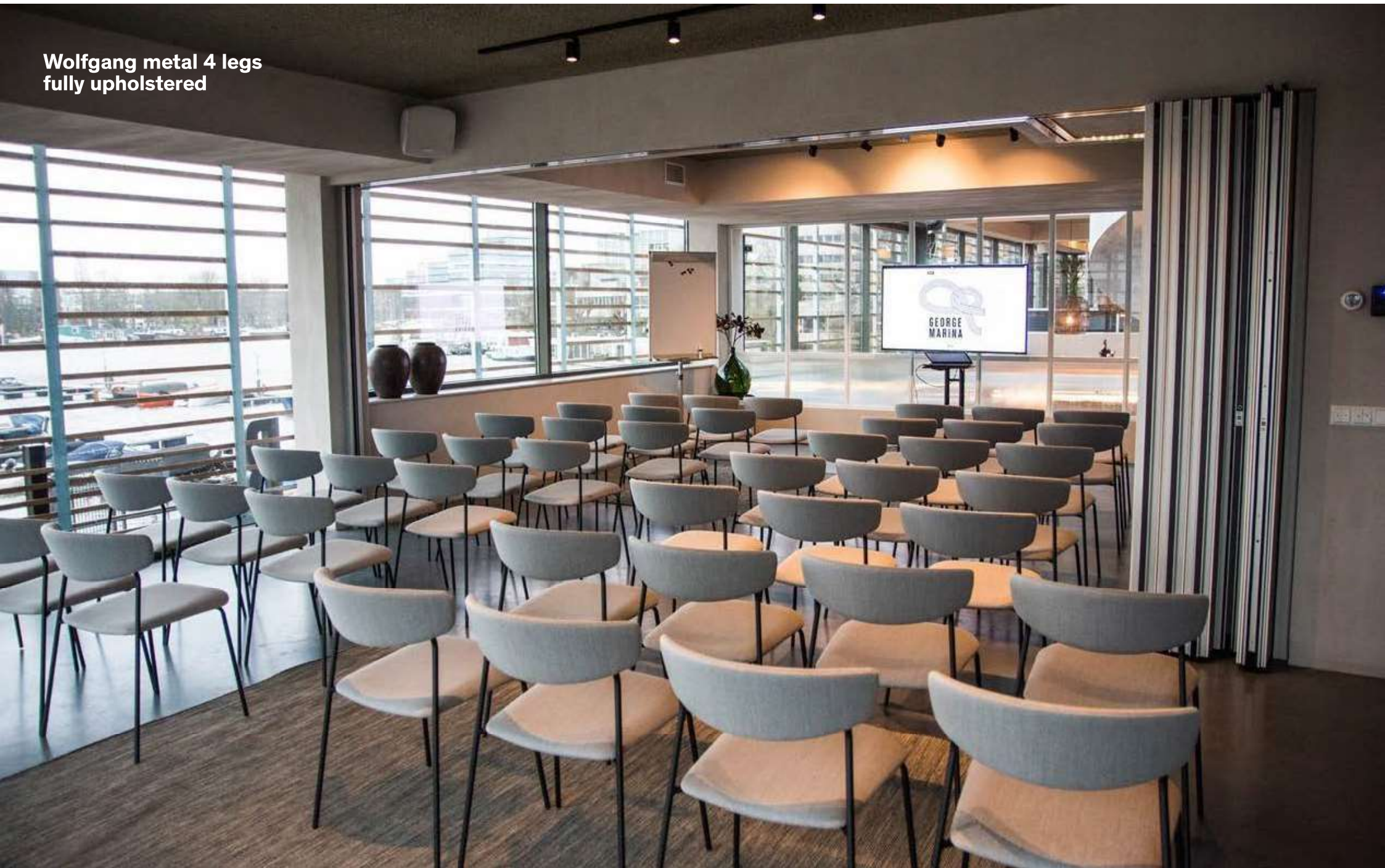


Quantity per box
2 pcs



Volume
0,31 m³

**Wolfgang metal 4 legs
fully upholstered**



**Wolfgang metal 4 legs
fully upholstered**



Wolfgang metal 4 legs
fully upholstered



Wolfgang metal 4 legs
fully upholstered



Wolfgang × 4 legs



Polyolefin resin – high
resistance to light and cleaning
products

Wide choice of colors

100% recyclable

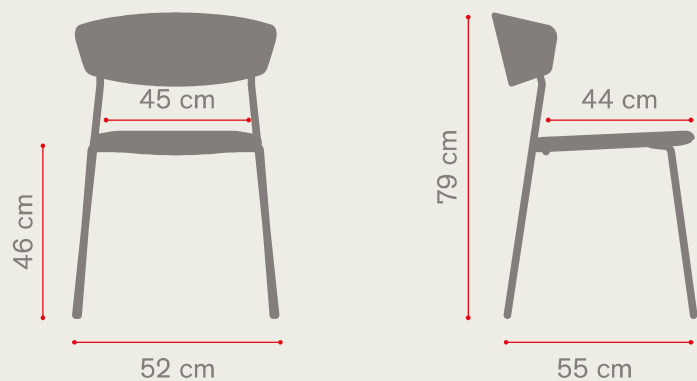
Wolfgang X
4 legs



WX4150

Wolfgang × 4 legs

Dimensions



Technical information

Component	Material	Thickness	Finishes
Frame	asform tube (tig weldings)	Ø 16 mm	/
	tube thickness	2 mm	/
Seat	plastic panel	10 mm	/
Backseat	plastic panel	10 mm	/

Stacking information



Heavy duty trolley
/



Transport trolley
10 pcs



Floor stacking
4 pcs

Packaging information



Net weight
5,1 kg



Gross weight
14,2 kg



Quantity per box
2 pcs



Volume
0,31 m³

Wolfgang X
4 legs



Wolfgang
x 4 legs

