

# Wolfgang metal wood sled base



---

Created in 2016

---

Evolution of the Wolfgang family

---

Modern, fun, young design

---

Stackable

---

Waterfall seat – comfortable twisting motion

---

Comfortable backrest that acts also as armrest

**Wolfgang metal wood  
sled base**



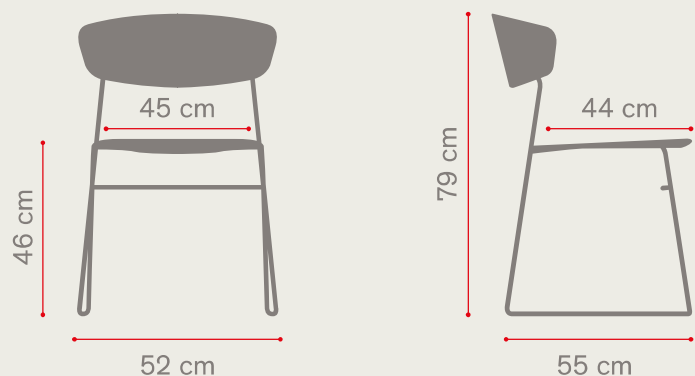
**Wolfgang metal wood  
sled base**



# WMS135

## Wolfgang metal wood sled base

### Dimensions



### Technical information

| Component | Material                 | Thickness | Finishes |
|-----------|--------------------------|-----------|----------|
| Frame     | solid rod (tig weldings) | Ø 11 mm   | /        |
| Seat      | wood panel               | 10 mm     | /        |
| Backseat  | wood panel               | 12 mm     | /        |

### Stacking information



**Heavy duty trolley**  
20 pcs



**Transport trolley**  
12 pcs



**Floor stacking**  
10 pcs

### Packaging information



**Net weight**  
6 kg



**Gross weight**  
22 kg



**Quantity per box**  
3 pcs



**Volume**  
0,31 m<sup>3</sup>



Wolfgang metal wood sled base





**Wolfgang metal wood  
sled base**



**Wolfgang metal wood  
sled base**





# Wolfgang metal sled base fully upholstered



---

Refined stitching details under  
the backrest

---

Metal supports integrated  
in the seat

---

Versatility of use



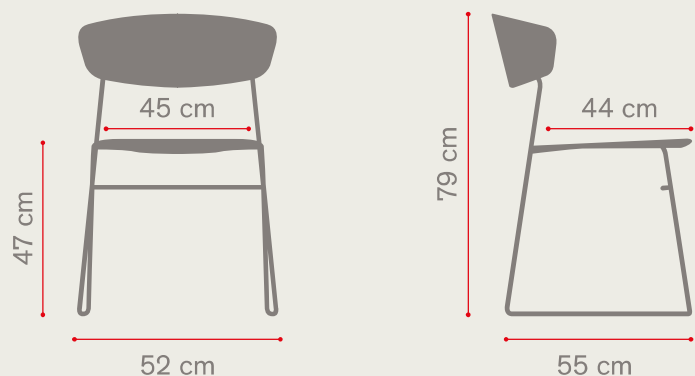
Wolfgang metal sled base  
fully upholstered



# WMS102

Wolfgang metal sled base fully upholstered

## Dimensions



## Technical information

| Component | Material                 | Thickness | Finishes |
|-----------|--------------------------|-----------|----------|
| Frame     | solid rod (tig weldings) | Ø 11 mm   | /        |
| Seat      | upholstered panel        | 30 mm     | /        |
| Backseat  | upholstered panel        | 35 mm     | /        |

## Stacking information



**Heavy duty trolley**  
20 pcs



**Transport trolley**  
8 pcs



**Floor stacking**  
6 pcs

## Packaging information



**Net weight**  
6,4 kg



**Gross weight**  
23,2 kg



**Quantity per box**  
3 pcs



**Volume**  
0,31 m<sup>3</sup>



Wolfgang metal sled base  
fully upholstered





Wolfgang metal sled base  
fully upholstered





**Wolfgang metal sled base  
fully upholstered**





Wolfgang metal sled base  
fully upholstered





Wolfgang metal sled base  
fully upholstered



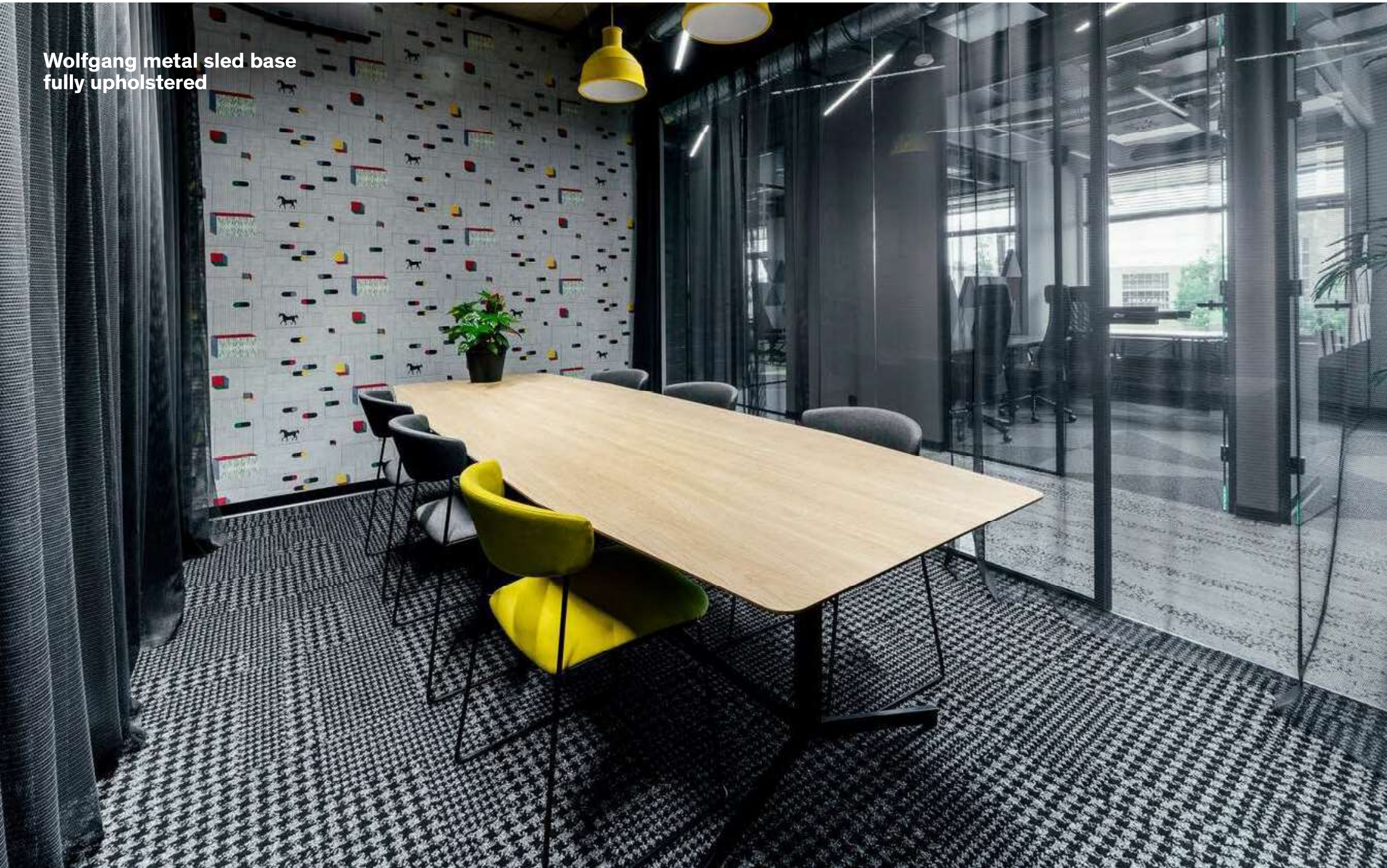


Wolfgang metal sled base  
fully upholstered



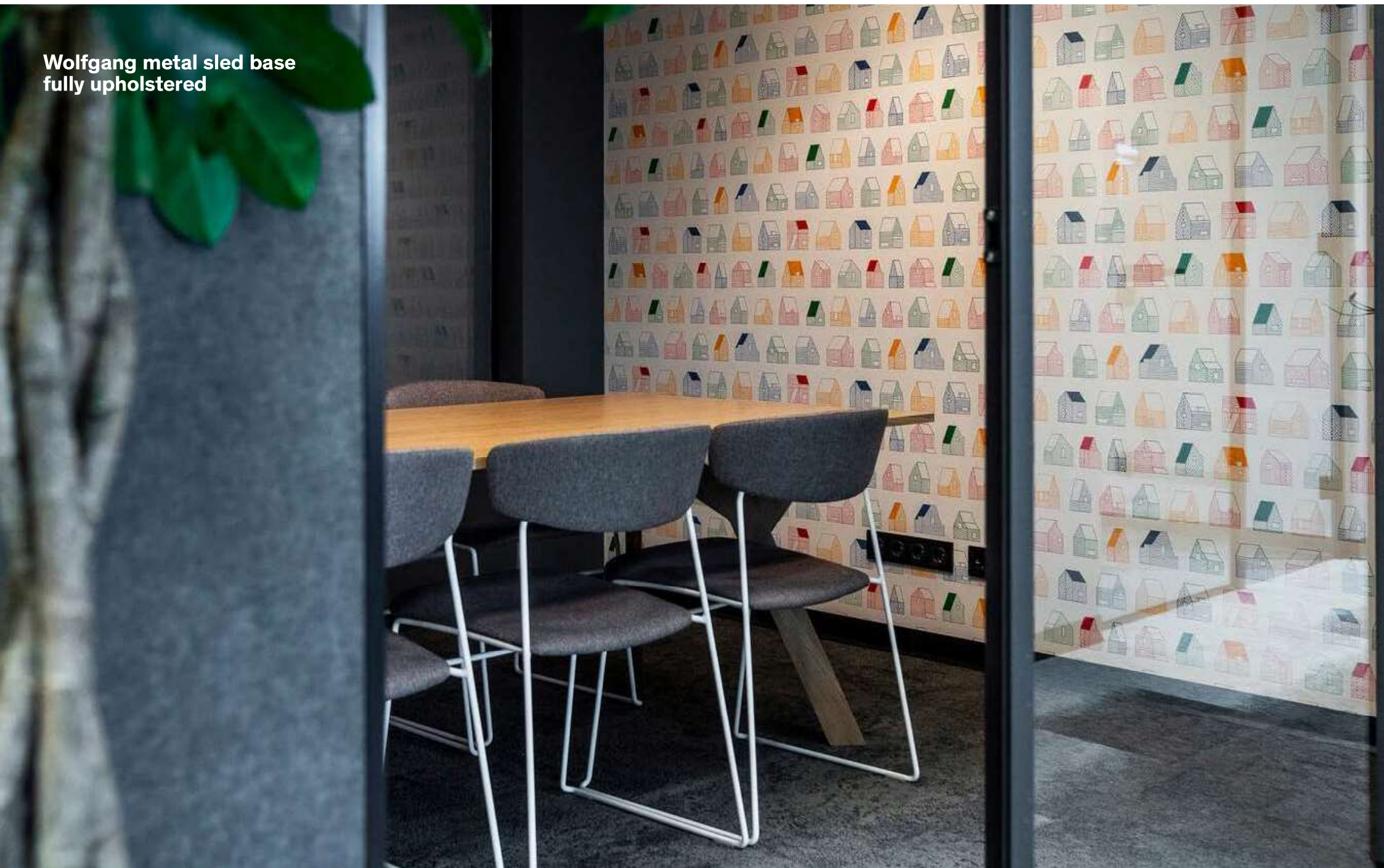


**Wolfgang metal sled base  
fully upholstered**



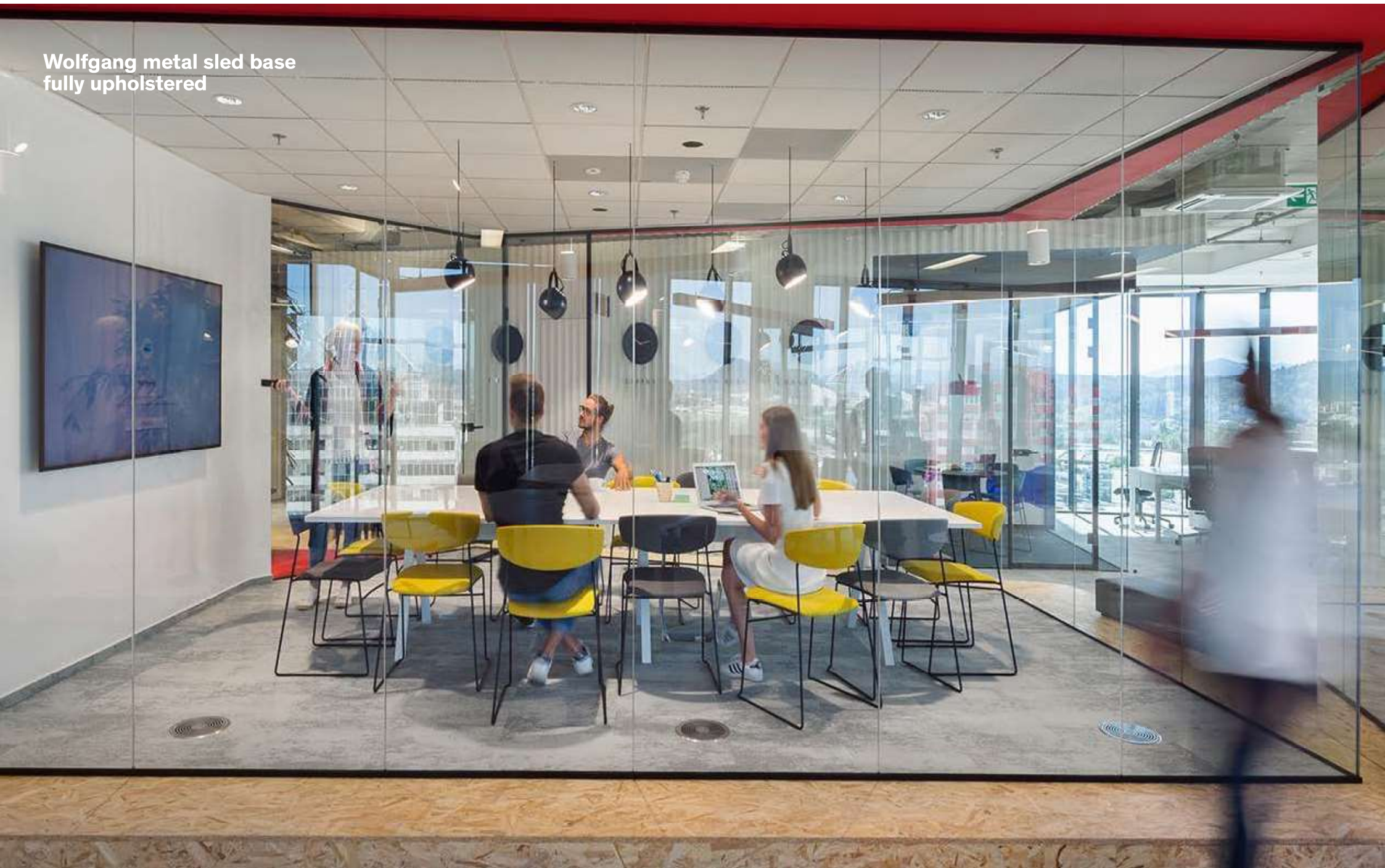


**Wolfgang metal sled base  
fully upholstered**





Wolfgang metal sled base  
fully upholstered





Wolfgang metal sled base  
fully upholstered

