

Link 60X  
counter stool



**Link 60X**  
counter stool



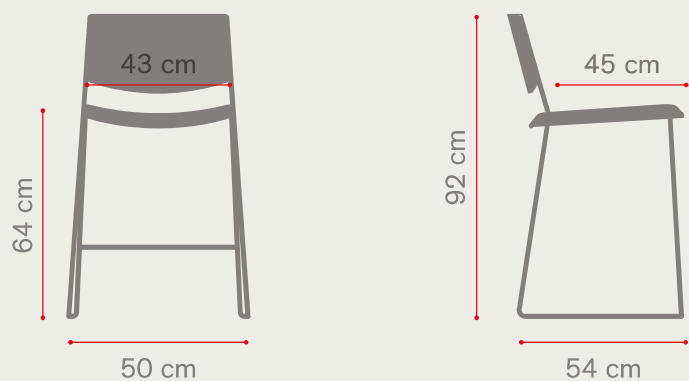
Link 60X  
counter stool



## LKX306-B

### Link 60X counter stool

#### Dimensions



#### Technical information

Component	Material	Thickness	Finishes
Frame	solid rod (tig weldings)	Ø 11 mm	/
Seat	plastic panel	10 mm	/
Backseat	plastic panel	10 mm	/

#### Stacking information



**Heavy duty trolley**  
/



**Transport trolley**  
12 pcs



**Floor stacking**  
12 pcs

#### Packaging information



**Net weight**  
6,4 kg



**Gross weight**  
16,8 kg



**Quantity per box**  
2 pcs



**Volume**  
0,31 m<sup>3</sup>

# Link counter stool

## Walnut/oak



---

Nonvisible screws

---

100% recyclable

---

Seat supported by 8 screws  
(2 for each metal support)

---

Plastic covers protects  
the underlying chair during  
stacking and also performs  
an aesthetic function

---

Waterfall seat – comfortable  
for legs movement

---

Ergonomic curves on the back

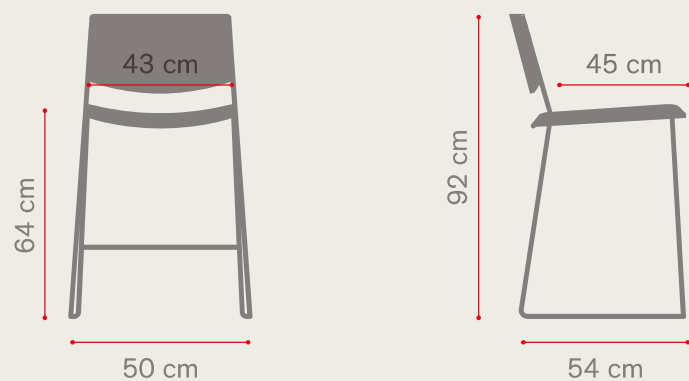
---



# LKX337-B (oak) / LKX335-B (walnut)

## Link counter stool

### Dimensions



### Technical information

Component	Material	Thickness	Finishes
Frame	solid rod (tig weldings)	Ø 11 mm	/
Seat	wood panel	12 mm	/
Backseat	wood panel	10 mm	/

### Stacking information



**Heavy duty trolley**  
/



**Transport trolley**  
12 pcs



**Floor stacking**  
12 pcs

### Packaging information



**Net weight**  
6,8 kg



**Gross weight**  
17,6 kg



**Quantity per box**  
2 pcs



**Volume**  
0,31 m<sup>3</sup>

# Link fully upholstered counter stool



---

Nonvisible screws

---

100% recyclable

---

Refined stitching details

---

Clean lines upholstery  
without staples

---

Seat supported by 8 screws  
(2 for each metal support)

---

Plastic covers protects the  
underlying chair during  
stacking and also performs  
an aesthetic function

---

Waterfall seat – comfortable  
for legs movement

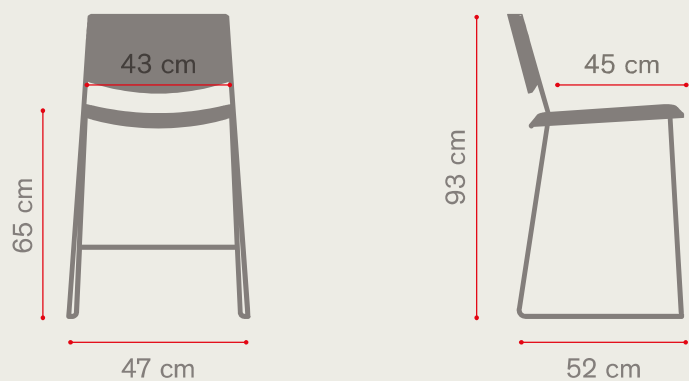
---

Ergonomic curves on the back

## LKX302-B

Link fully upholstered counter stool

### Dimensions



### Technical information

Component	Material	Thickness	Finishes
Frame	solid rod (tig weldings)	Ø 11 mm	/
Seat	upholstered panel	30 mm	/
Backseat	upholstered panel	30 mm	/

### Stacking information



**Heavy duty trolley**  
/



**Transport trolley**  
12 pcs



**Floor stacking**  
12 pcs

### Packaging information



**Net weight**  
6,8 kg



**Gross weight**  
17,6 kg



**Quantity per box**  
2 pcs



**Volume**  
0,31 m<sup>3</sup>