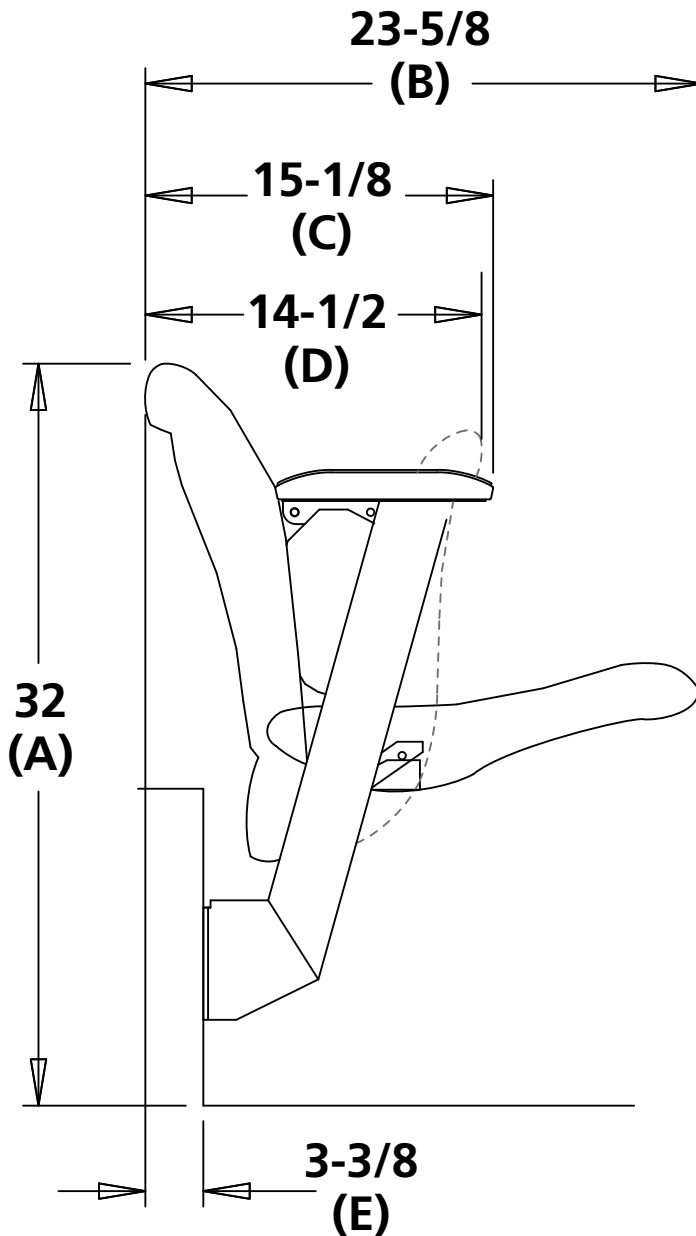




30.52.00.30 Patriot



- Explanation of Dimensions:
- A = Back Height
 - B = Seat in Down Position
 - C = Rear of Back to Front of Arm
 - D = Seat in Up Position
 - E = Back Pitch Overhang

Medium Rise Standards
all dimensions shown in inches
dimensions may change without notice
© Irwin Seating Company